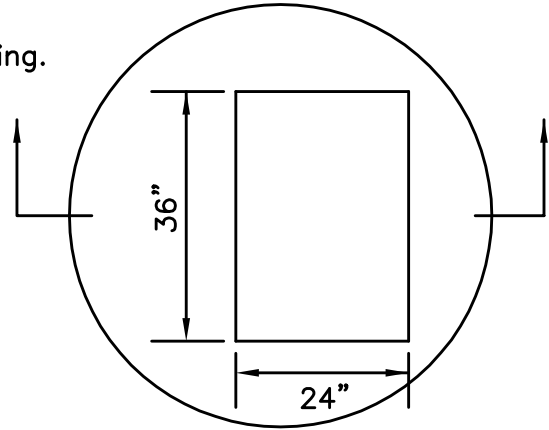
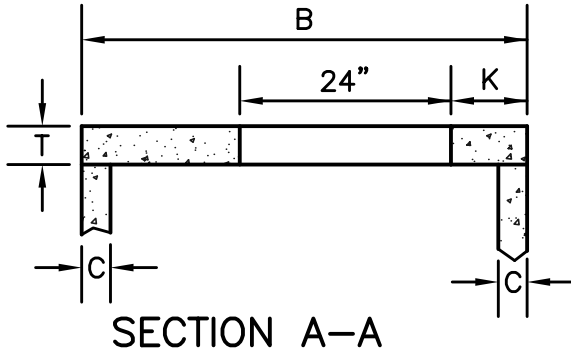


NOTE:
 HS20 Roadway Loading Catch Basin Cover Slab of
 Precast Reinforced Concrete with Rectangular Opening.

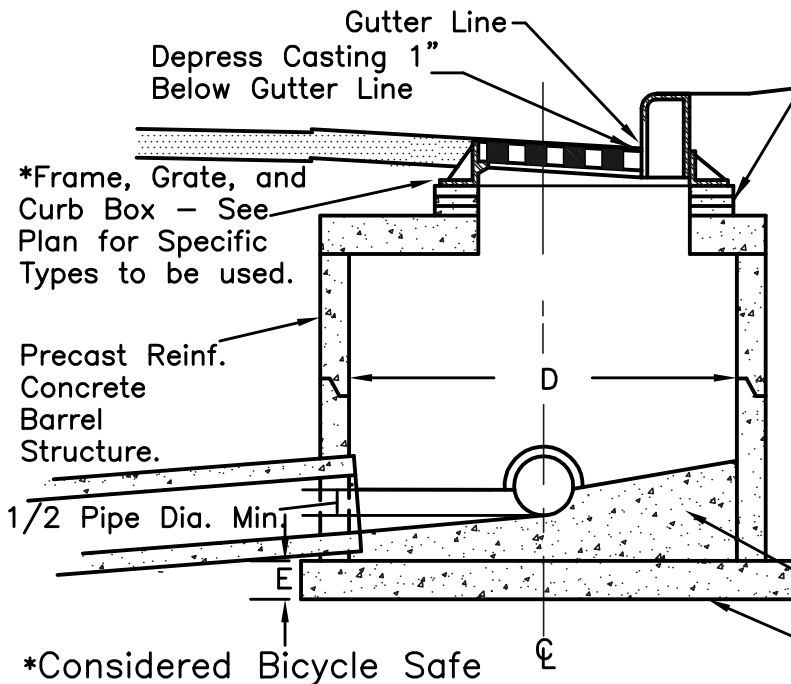


PLAN OF COVER
 SLAB

Note:

1. Steps needed for structure height greater than 4'.
2. Cover Slab to Rest on Bed of Mortar on Full Thickness of Structure Walls, not to Rest on Pipe Tongue or Groove.
3. Location of Structure as Shown in Plans.
4. See Plan for Box and Grate Type.

Adjusting Rings, 2 Min., 3 Max., Full 3/8" Bed of Mortar Between Rings. Plaster Exterior Only with 2" Min. Thick Coat. Strike Off Interior. No shims permitted. Stager on the Adjustment Rings Not to Exceed 3/4" Total.



STRUCTURE REQUIREMENTS					
D	B	C	E	T	K
48"	58"	5"	5"	6"	14"
54"	65"	5.5"	8"	8"	14"
60"	72"	6"	8"	8"	14"
66"	79"	6.5"	8"	8"	14"
72"	86"	7"	8"	8"	14"
78"	93"	7.5"	8"	8"	14"
84"	100"	8"	8"	8"	14"

Invert Fillet Cast in Place (MnDOT Mix 3A34)
 Precast Reinforced Conc. Base.

*Considered Bicycle Safe

SECTIONAL VIEW

MnDOT Spec. ref. 2506, Detail ref. 4011, 4020, 4022

RECTANGULAR INLET
 FOR ROUND MANHOLE HL-465A1
 NOT TO SCALE